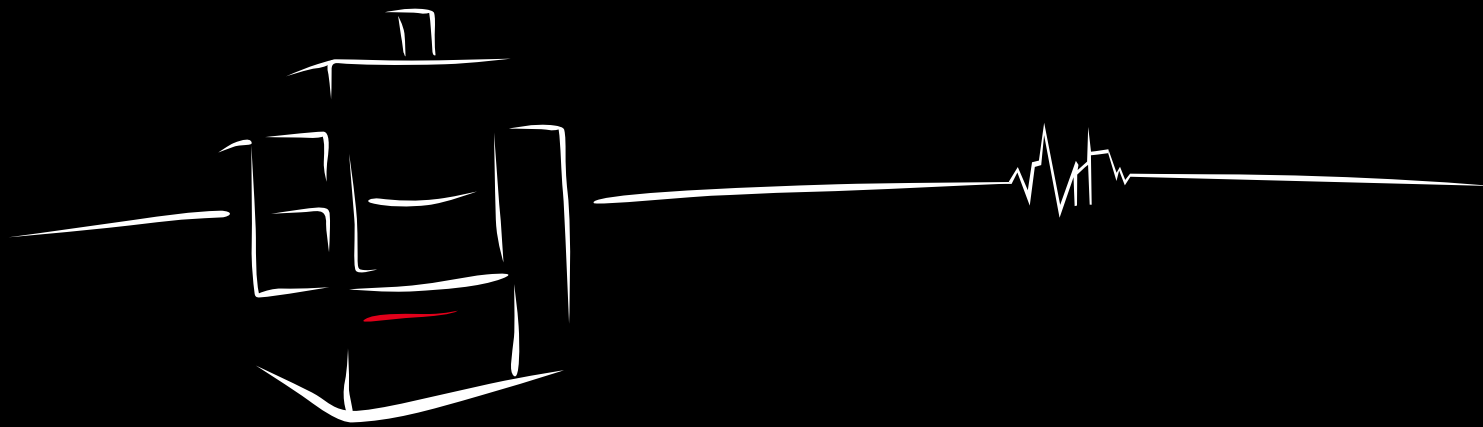


The Art of *Economy*



Die Sinking

Power for Precision



SG SERIES

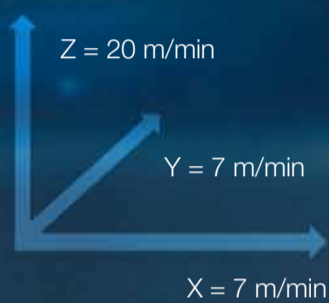
High performance, fully equipped – the machine for the modern moldmaker

- Solid structure – with high level accuracy of $< 5 \mu\text{m}$
- Surface quality $R_a < 0,1 \mu\text{m}$
- High performance graphite technology
- Ready for automation
- Digital interfaces on board

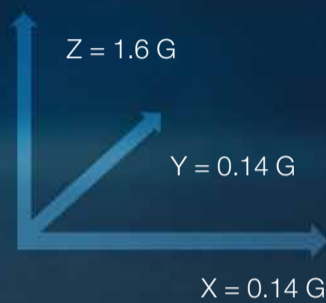
Two versions available

- Standard
- Standard + R-package

Max. jump speed

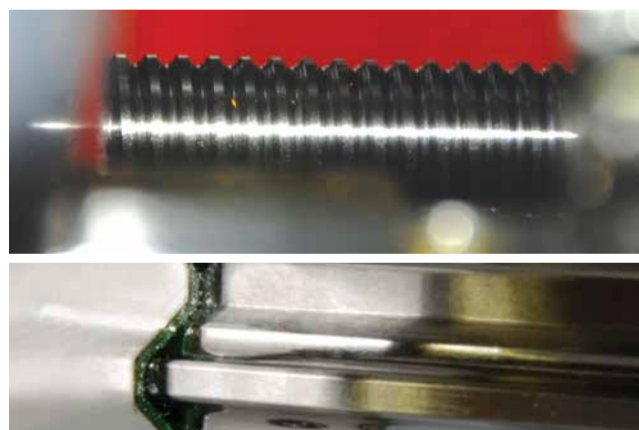


Max. jump acceleration



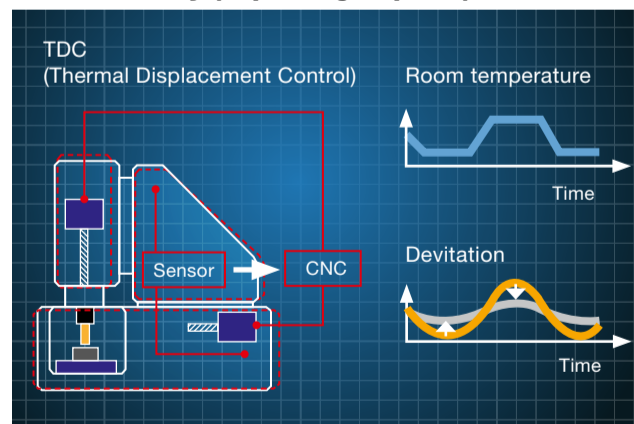
Precision needs perfection and high-class components.

Solid machine body



- Solid cast-iron machine body
- High grade ballscrews and linear guides from THK
- Reinforcements prevent from vibrations
- Compact, space-saving design
- High-class components only
- Linear scales in X/Y (R-package option) and Z-axis
- High resolution, digitally controlled direct drives

Precision thanks to a thermally regulated machine body (R-package option)



Precise temperature control of environment and machine base is the base for intelligent temperature compensation – ensuring long term accuracy even at slightly varying room temperatures.

Protection for your investment – collision protection



Crash protection is ensured by monitoring the voltage between upper head and any other machine component. As soon the machine detects any electrical contact between machine head and machine base the motors stop immediately. This system is, unlike measuring mechanical forces, more sensitive and save.

A masterpiece of intelligence – the control for more convenience



- Smart guidance by and through workpiece setup macros
- Visual explanation by pictures explaining functions and directions for easy handling
- Help is always available on-screen



RELATIVE	POSIT.	ALARM	
CONTACT	CONTACT	EDGE	
X	300.0000	100%	Y -200.0000
Y	-200.0000	G54	Z -150.0000
Z	-150.0000		

OVERVERRIDE	100%
SET ZERO	BACK

- Comfortable remote control box with LCD display
- Set-up cycles easily accessible
- Plus more helpful features

Programming – on control or at PC, you decide...



ESPERADVANCE PRO lite – offline programming (included in R-package)



- Easy programming – same as on the CNC-control
- All functions available such as on machine programming
- External programming – 1 license supports up to 5 EDMs
- Know-how – technical guidebook included

Process data management



Operating and process data can be retrieved at the control. Available as standard is an export function for all process data, operating states, consumption data and maintenance states as well as alarms. This way the data from several machines can be viewed and evaluated in consolidated form, through to their integration in higher-order production management systems.

No compromising on security



Anti-virus protection is ensured as standard by one of the world's leading software systems in security control.





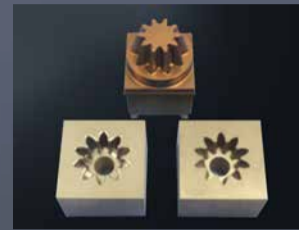
Technology

Finishing flexibility



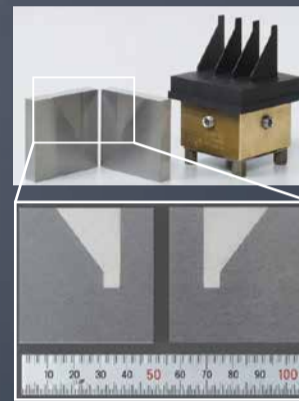
- For uniform and precise large area machining
- For high accuracy and tight tolerances

High performance machining of tungsten carbide – with IDPM3



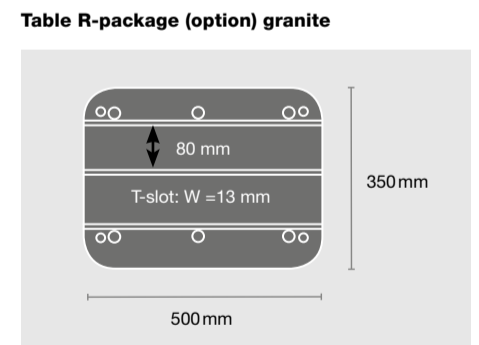
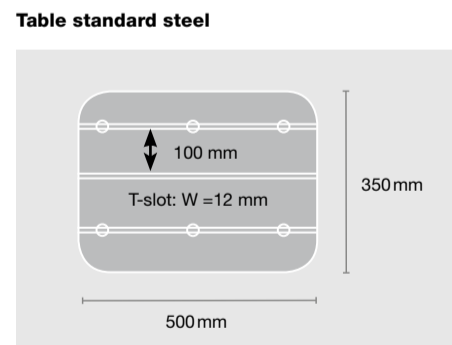
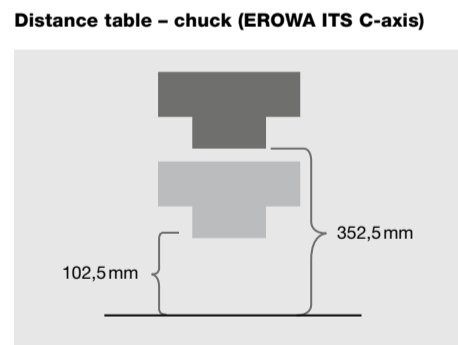
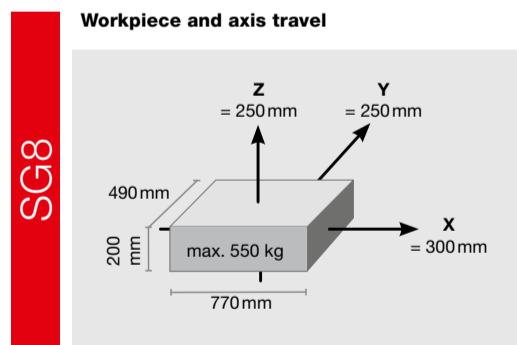
- Using copper-graphite electrodes can increase the removal rates in tungsten carbide up to 60 %
- Tungsten carbide machining technology is supplied as standard for SG Series machines

Low wear and high speed machining with graphite electrodes

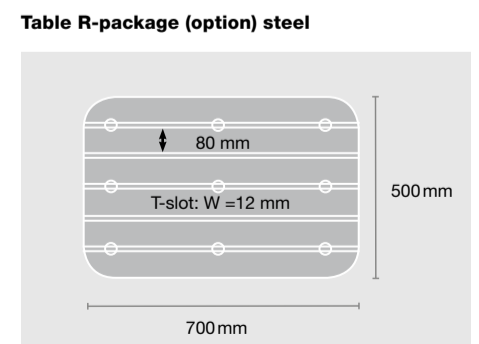
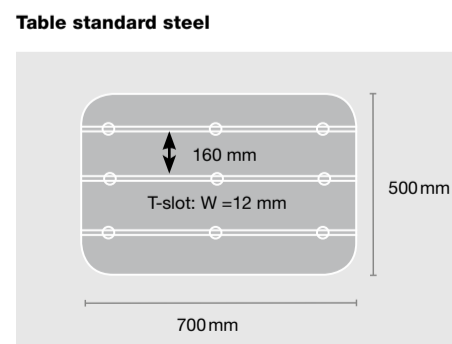
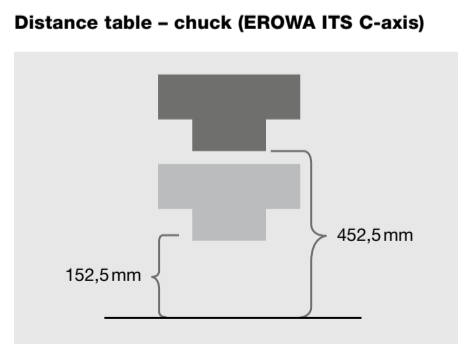
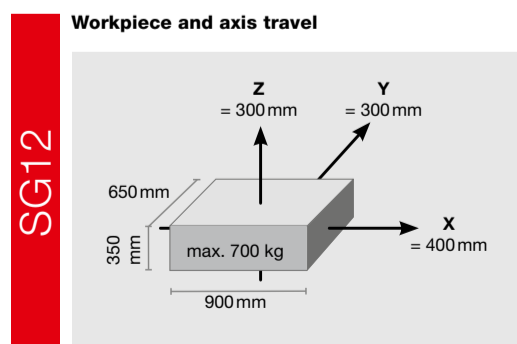


- Front- and edge-wear are reduced significantly with the latest technology using the IDPM3 function
- Massively increased removal rates cutting down machining times up to 50 % against GF2
- Stable and fast machining is realized by newly developed AI technology and a new generator hardware
- Low wear machining at deep ribs even with small thickness and sharp tips in the cavity

Key data at a glance.

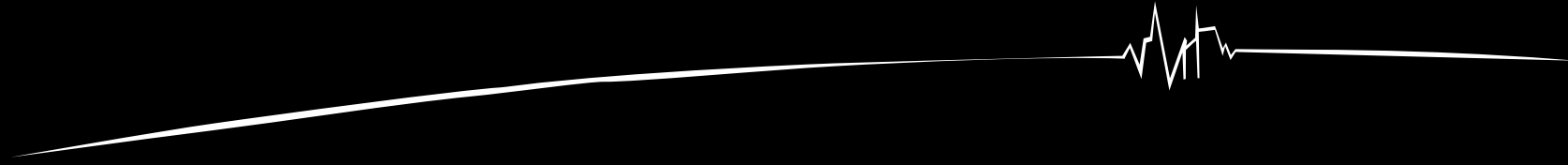


Max. electrode weight: 50 kg (depending on clamping system)



Max. electrode weight: 50 kg (depending on clamping system)

Partners



EN Subject to technical change and error / 11.09.2019
Details of image rights, trademark rights and other legal notices at www.mitsubishi-edm.de/notices

MITSUBISHI ELECTRIC EUROPE B.V.

Mechatronics Machinery / Mitsubishi-Electric-Platz 1 / 40882 Ratingen / Germany / Tel. +49 (0) 2102 486-6120 / Fax +49 (0) 2102 486-7090
edm.sales@mee.com / www.mitsubishi-edm.de

